



**FACILITIES  
PLANNING  
AND  
MANAGEMENT**

SHOWALTER BUILDING  
100 EAST 10TH AVENUE  
TERRE HAUTE, IN 47782

CERTIFIED

REVISIONS

**DEVICE SCHEDULE**

TYPE	MANUFACTURER AND MODEL NUMBER	DESCRIPTION
SINGLE HORIZONTAL SWITCH	LEITON 1-6A-0U LITON 1-6A-0U-0R-0006 SENSOR SWITCH #400H-6A-3X-04	SINGLE BUTTON HORIZONTAL SWITCH ON/OFF CONTROL FOR SINGLE LIGHTING ZONE (DETAIL 1) ONLY LOCATE AT ENTRY DOOR
DUAL HORIZONTAL SWITCH	LEITON 1-6A-0U LITON 1-6A-0U-0R-0006 SENSOR SWITCH #400H-6A-3X-04	TWO BUTTON HORIZONTAL SWITCH ON/OFF CONTROL FOR DUAL LIGHTING ZONE (DETAIL 2) ONLY LOCATE AT ENTRY DOOR
0-9V DIFFERENTIAL SWITCH	LEITON 1-6A-0U LITON 1-6A-0U-0R-0006 SENSOR SWITCH #400H-6A-3X-04	LINE VOLTAGE DIFFERENTIAL WITH 0-9V DRIVING CONTROL AND 99V ON/OFF CONTROL LOCATE ON PRESENTATION WALL BEHIND TEACHER STATION
0-9V VACUANT SENSOR	LEITON 1-6A-0U LITON 1-6A-0U-0R-0006 SENSOR SWITCH #400H-6A-3X-04	LINE VOLTAGE SENSITIVE ENERGIZED ONLY ZERO VOLTAGE SENSOR WITH VACUANT ZONE OPERATION 1500 30 FEET COVERAGE (TYPICAL) THREE DEFINED UP TO 30 HUNDREDS
POWER PACK	LEITON 1-6A-0U LITON 1-6A-0U-0R-0006 SENSOR SWITCH #400H-6A-3X-04	120 VOLT POWER PACK WITH MANUAL ON SENSOR PARTS AND RATIONALITY TO UTILIZE EITHER HORIZONTAL OR HORIZONTAL SWITCH PARTS FOR MANUAL ON CONTROL, 9A RATED RELAY AND NUMBER OF SENSITIVE ZONES (DETAIL 1) 24 SENSITIVE

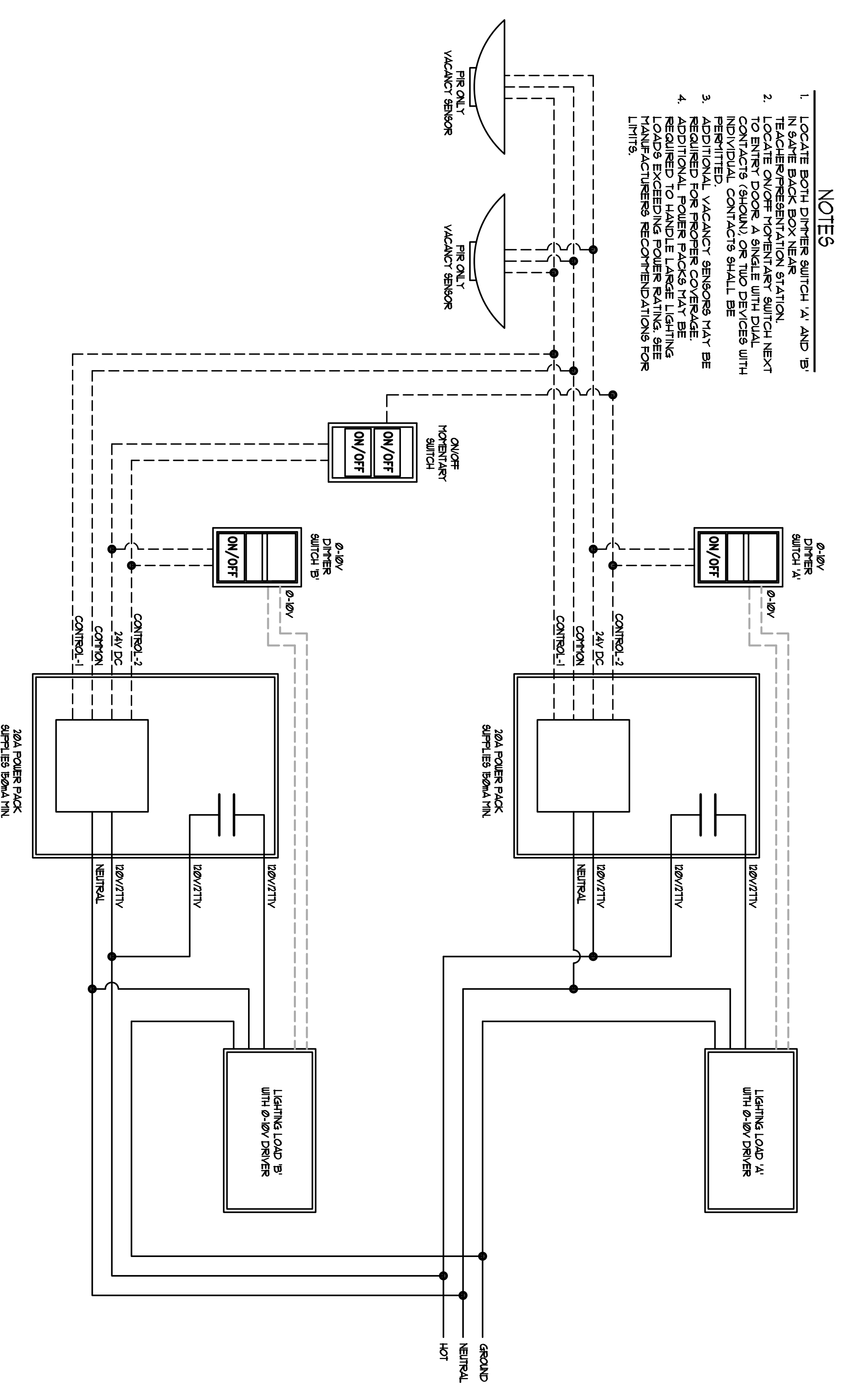
**GENERAL NOTES**

- ETHERNET CABLE NOT ALLOWED. UTILIZE #6 AWG WIRE FOR
- PROVIDE WANTED SENSORS IN LEI OF LTR/ROCK OR
- DUAL SENSOR COX TYPE SENSORS
- ALL SENSORS SHALL BE MOUNTED ON PROWING
- CONTRACTOR IS RESPONSIBLE FOR ALL LINE AND LOW
- CONTRACTOR SENSOR MANUFACTURERS SHALL ADJUST
- LOCATIONS AND QUANTITIES TO ENSURE PROPER
- SENSORS # 1000 TO COVER SENSITIVE ZONES

**LINE TYPES**

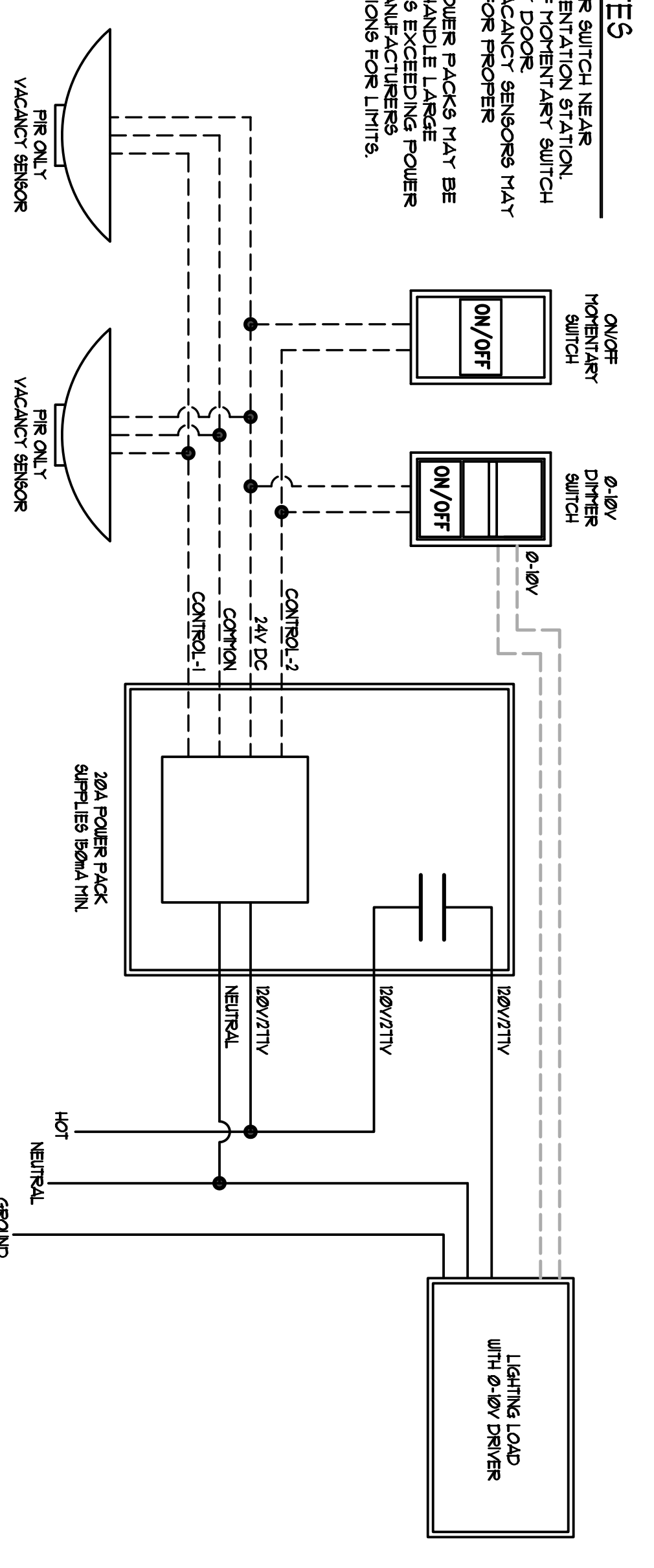
- LOW VOLTAGE #6 AWG THN \_\_\_\_\_
- LINE VOLTAGE #10 AWG THN \_\_\_\_\_
- 0-9V DRIVING #6 AWG THN \_\_\_\_\_

- NOTES**
- LOCATE BOUNDARY SWITCH 'A' AND 'B' IN SAFE BACK BOX NEAR
  - TEACHER PRESENTATION STATION
  - LOCATE ON/OFF HORIZONTAL SWITCH NEXT TO ENTRY DOOR. A SINGLE HORIZONTAL SWITCH SHALL BE REQUIRED FOR PROPER COVERAGE. POWER PLAYS MAY BE REQUIRED TO HANDLE LARGER LIGHTING LOADS EXCEEDING POWER RATING OF SWITCHES. SEE NOTES FOR ADDITIONAL RECOMMENDATIONS FOR LIGHTS.
  - ADDITIONAL VACUANT SENSORS MAY BE REQUIRED FOR PROPER COVERAGE. POWER PLAYS MAY BE REQUIRED TO HANDLE LARGER LIGHTING LOADS EXCEEDING POWER RATING OF LIGHTS. SEE NOTES FOR ADDITIONAL RECOMMENDATIONS FOR LIGHTS.



**2 DUAL LIGHTING ZONE CLASSROOM**

- NOTES**
- LOCATE DRIVER SWITCH NEAR
  - TEACHER PRESENTATION STATION
  - LOCATE ON/OFF HORIZONTAL SWITCH NEXT TO ENTRY DOOR. SENSORS MAY BE REQUIRED FOR PROPER COVERAGE. POWER PLAYS MAY BE REQUIRED TO HANDLE LARGER LIGHTING LOADS EXCEEDING POWER RATING OF SWITCHES. SEE NOTES FOR ADDITIONAL RECOMMENDATIONS FOR LIGHTS.
  - ADDITIONAL VACUANT SENSORS MAY BE REQUIRED FOR PROPER COVERAGE. POWER PLAYS MAY BE REQUIRED TO HANDLE LARGER LIGHTING LOADS EXCEEDING POWER RATING OF LIGHTS. SEE NOTES FOR ADDITIONAL RECOMMENDATIONS FOR LIGHTS.



**1 SINGLE LIGHTING ZONE CLASSROOM**

PROJECT NAME  
**LIGHTING CONTROL STANDARDS WIRING DIAGRAMS**

BSU PROJECT NUMBER:  
**XXXX-XX**  
DATE: 04/04/21/08

DESIGNER: ERE  
DATE: 04/04/21/08  
SCALE: AS NOTED

SHEET TITLE  
**TYPICAL CLASSROOM LIGHTING WIRING DIAGRAMS**

SHEET NO.  
**EXXX**